

Drawing Reference	IN9307.2	14.12.03
		Date
Lock release timer installation		

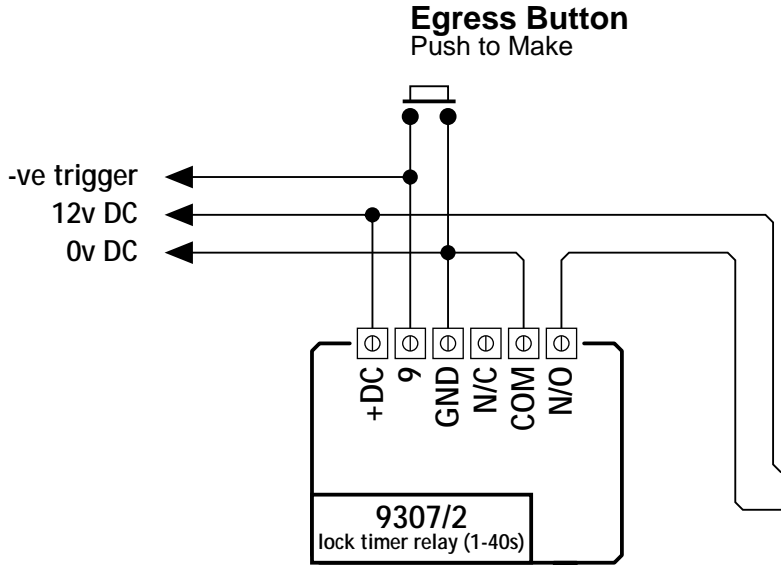
Compatibility Note

Most (probably all) 5 wire telephone entry systems use a -ve trigger to power one side of the lock release. The other lock release connection is permanently connected. use the table below to establish the lock trigger wire from the telephone. **MAKE SURE** that you link GND of timer to 0v of system PSU and +DC of timer to DC output of system PSU.

Locking Note

The lock time is set by the 9307.2. Always fit the Transil (lock suppressor) supplied. You may connect fail open or fail locked locking without the need for additional relays.

	Bitron	Comelit	SRS	Urmet	Videx
Telephone	9	P1	9	9	5
PSU terminal	8.5	+	DC	+	+
PSU terminal	0	-	0	-	-



Locking Options		
connect common of relay to 0V	Power connection	Relay connection
12V AC fail locked	AC	N/O
12V DC fail locked	DC	N/O
12V DC fail open	DC	N/C

Unclick cover to access the timer adjustment



12V DC FAIL LOCKED illustrated with transil fitted

