

● Features

- **Version Changeable**
- **The electric strike can be used automatically and manually**
- **CSIRO Fire-resistance Certificate**
- **Long life solenoids**
- **2000 LBS jaw strength pull testing**



Gk300



GK300M



Gk301



GK301M



Gk310



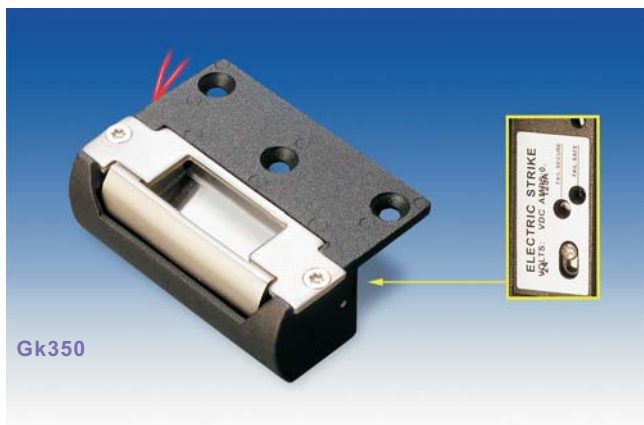
GK310M



Gk311



GK311M

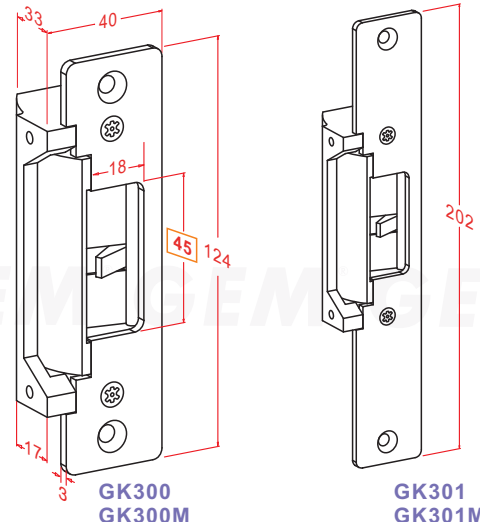


Gk350

● Statement

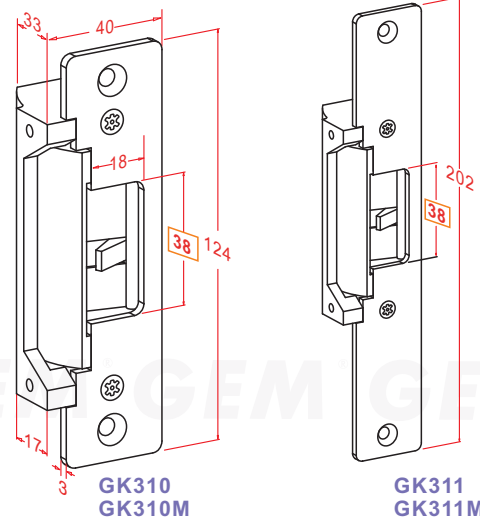
The GK-300 series electric strikes (ANSI-sized) are designed for used with lockset (ex. spring latch), having up to 12 mm keeper depth for in-swinging doors. The units are design for using with most hollow metal frames and aluminum frames. Stainless steel plate ensures strength and long life.

● Dimension



GK300
GK300M

GK301
GK301M



GK310
GK310M

GK311
GK311M

Unit : mm

● Patents

- ZL 99 2 48179.1 (China)
- US 6299225 B1 (U.S.A.)
- GB2355753 (UK)
- 166716 (Taiwan)



GIANNI INDUSTRIES, INC.

No.306-1, Hsin Shu Road, Hsin Chuang, Taipei, Taiwan 242
 TEL: 886-2-2206 9929 FAX: 886-2-2204 6632
 E-Mail: info@gianni.com.tw
 Website: gianni.tw

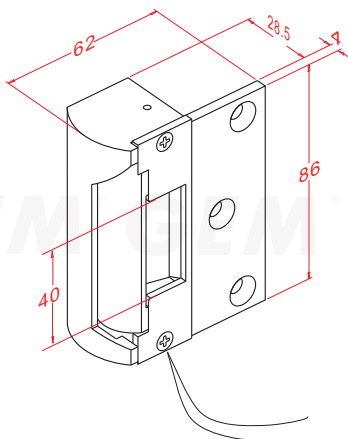


The products are manufactured under an ISO 9001 & QC 080000 Certified Quality Management Program environment back its product quality, performance and commitment to customer satisfaction.

● Model Comparison List

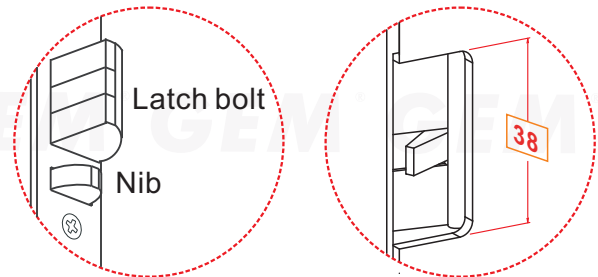
Model	Door frame	Switch Monitored	Application Lockset	Installation	Optional Accessory
GK300	Hollow metal Frames		Spring latch	Flush Mounting	LP-025, LP-050
GK300M	Hollow metal Frames	●	Spring latch	Flush Mounting	LP-025, LP-050
GK301	Wood Frames		Spring latch	Flush Mounting	LP-025, LP-050
GK301M	Wood Frames	●	Spring latch	Flush Mounting	LP-025, LP-050
GK310	Hollow metal Frames		Latch-bolt lock	Flush Mounting	LP-025, LP-050
GK310M	Hollow metal Frames	●	Latch-bolt lock	Flush Mounting	LP-025, LP-050
GK311	Wood Frames		Latch-bolt lock	Flush Mounting	LP-025, LP-050
GK311M	Wood Frames	●	Latch-bolt lock	Flush Mounting	LP-025, LP-050
Gk350	Hollow metal & Wood Frames		Night Latch	Surface Mounting	

● Dimension



Unit : mm

● What's Latch bolt lock ?



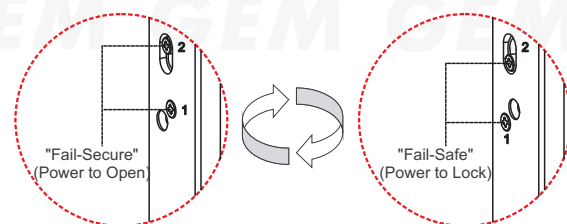
A latch-bolt lock that is a lock equipped with a Nib and a latch bolt. When the door is closed, the Nib will make the latch bolt a dead latch, and latch bolt will slide from door into frame and momentarily fills into the cavity of strike keeper that preventing the door from opening or the latch bolt from jimmying. The Nib This security feature is more suitable for outward opening doors.

● Specifications

- Power Input: 12 V DC (24V DC available by special order)
- Voltage Tolerance: ±15%
- Current Draw: 0.25 A@12 VDC; 0.15 A@24 VDC (at temperature 20°C)
- Sensor Switch monitored output (optional model), Rating 2A@125V, indicates the lockset locked or unlocked status.
- Operating Temperature: -10~45°C
- Humidity: 0~95% non-condensing.
- Lock's surface Temperature (when the power is on): <current temperature +20°C
- 2000 LBS jaw strength pull testing.
- Tested to 1,000,000 cycles.
- Weight (Approx.): 380 g

● Version Changeable

The series electric strike is easy changeable between fail-safe and fail-secure in the field. This unique design can help our distributors to reduce the inventory and sales pressure and to meet varying needs and requirements.



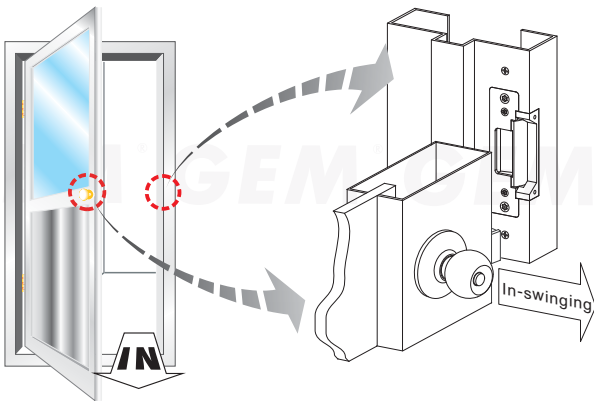
GIANNI INDUSTRIES, INC.

No.306-1, Hsin Shu Road, Hsin Chuang, Taipei, Taiwan 242
 TEL: 886-2-2206 9929 FAX: 886-2-2204 6632
 E-Mail: info@gianni.com.tw
 Website: gianni.tw

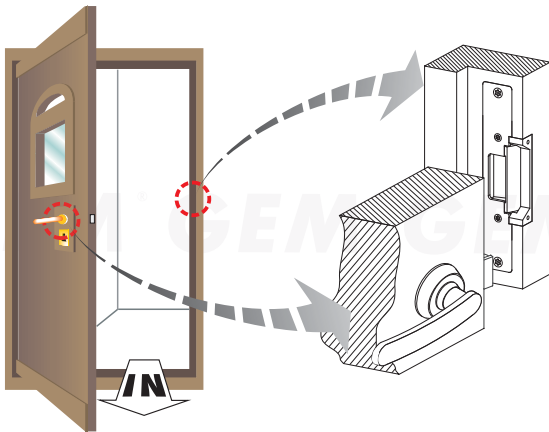


The products are manufactured under an ISO 9001 & QC 080000 Certified Quality Management Program environment back its product quality, performance and commitment to customer satisfaction.

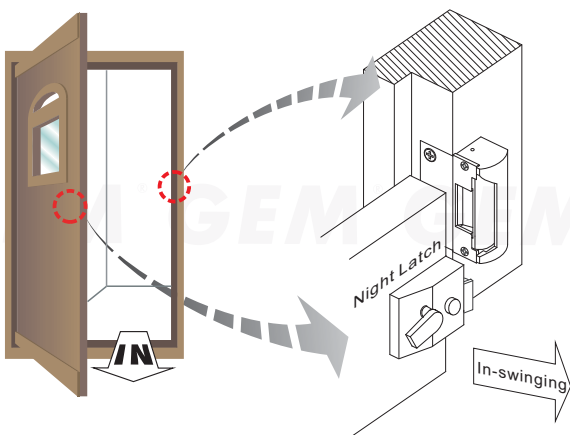
Gk300, 310 Hollow Metal Frames Flush Installation



Gk301, 311 Wood Frames Flush Installation

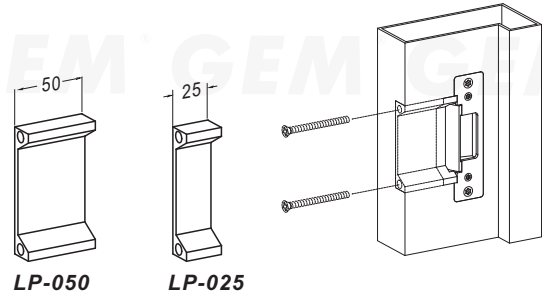


Gk350 Surface Mount Installation



Optional Accessory

Lip extension brackets for the wide jamb.



CSIRO Fire-resistance Certificate

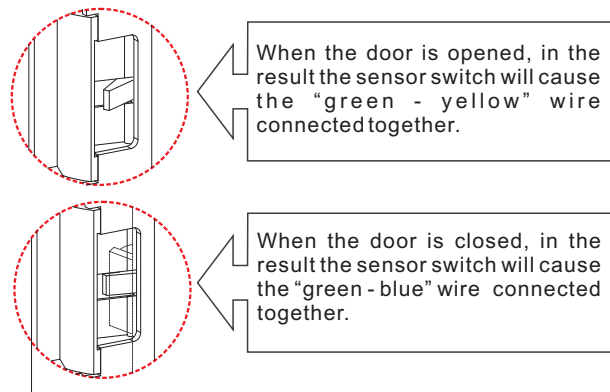
The GEM's product of the alternative items of materials or assemblies have been proved to have withstood a fire resistance as established in accordance with the test procedures of Sponsored Investigation FSV 0609 and the terms of clause 4.1 of Australian Standard 1905, Part 1-1997.

Long life solenoids

Special solenoid designed for strength and long life and is guaranteed the operating lifetime of at least 1,000,000 times.

Latch Monitoring Output

The models with "Sensor Switch monitoring output" function indicates the lockset locked or unlocked status.



GIANNI INDUSTRIES, INC.

No.306-1, Hsin Shu Road, Hsin Chuang, Taipei, Taiwan 242
 TEL: 886-2-2206 9929 FAX: 886-2-2204 6632
 E-Mail: info@gianni.com.tw
 Website: gianni.tw

Copyright © 2008 Gianni industries, inc. All rights reserved.
 DM-CA-GK300 Ver. D Published on 2008.07.30



The products are manufactured under an ISO 9001 & QC 080000 Certified Quality Management Program environment back its product quality, performance and commitment to customer satisfaction.

Unique narrow strike base designed for streamline door jamb solution.



GK300-9
Hollow metal jamb installation



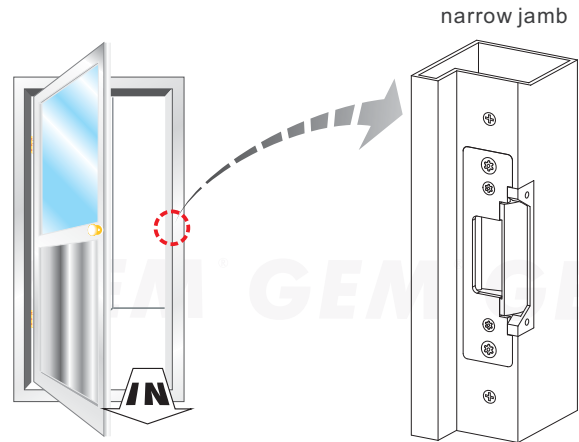
GK300M-9
Hollow metal jamb installation



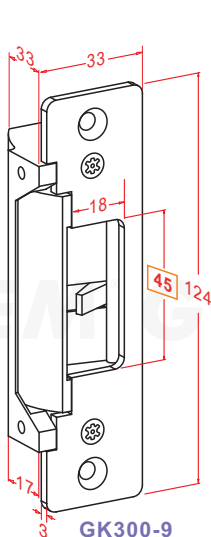
GK301-9
Wooden jamb installation



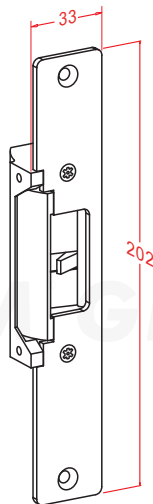
GK301M-9
Wooden jamb installation



The GK300-9 series electric strikes are designed for use with Door Latch, having up to 12 mm keeper depth for in-swinging doors. In addition, an added indent to the latch to overcome problems with some of the mortice locks sticking on the opening.



GK300-9
GK300M-9



GK301-9
GK301M-9

Unit : mm

Warranty

The product is warranted against defects in material and workmanship while used in normal service for a period of 3 year from the date of sale to the original customer. The GEM policy is one of continual development and improvement; therefore GEM reserves the right to change specifications without notice.

GIANNI INDUSTRIES, INC.

No.306-1, Hsin Shu Road, Hsin Chuang, Taipei, Taiwan 242
 TEL: 886-2-2206 9929 FAX: 886-2-2204 6632
 E-Mail: info@gianni.com.tw
 Website: gianni.tw

Copyright © 2008 Gianni industries, inc. All rights reserved.
 DM-CA-GK300 Ver. D Published on 2008.07.30



The products are manufactured under an ISO 9001 & QC 080000 Certified Quality Management Program environment back its product quality, performance and commitment to customer satisfaction.