

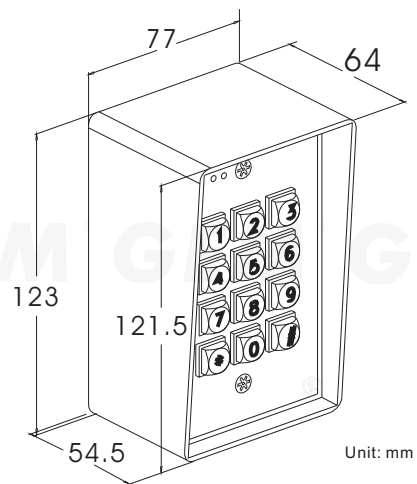


DG-15WP

DG-15



(Waterproof Keypad)



Unit: mm

### ● Features

- 4 or 5 digit codes programmable
- Allows up to 20+1 PIN codes
- Dual Relays output for multi-control
- Door Reed Switch Input for Anti-Trailing
- Fully Programmable via keypad and master code
- 3 LED display with Audible indication
- Non-Volatile Memory
- Invalid PIN Lock-out
- Metal die casing housing
- With Vandal Resistant Screws
- Optional with Water-proof Keypad

### ● Statement

The DG-15 is a dual relay digital code-operated for access control keypad with up to 20+1 individual user PINs, user access PINs ensure that all functions controlled to authorized persons only. The door reed switch Input is used to time out the timer when door is moved for Anti-Trailing. It's designed to mount on any standard-single-gang electric wall box or on the surface of an interior or exterior wall.

Logical memory can prevents unauthorized persons from gaining PIN code entry by trial and error, The system will shut down for 60 seconds while 30 codes of incorrectly Master Codes enrolled or PIN codes attempted None beeper signal of keypad activations. Metal die casting housing with vandal resistant screws to seize every security measures of the unit.

### ● Specifications

- Operating Voltage: 12 Vdc
- Current Draw: Average 15mA, Peak 100mA @ 12Vdc
- Input: request-to-exit, time out reed switch contact
- Output: Dual relays, N.O. / N.C./ Com. Output (free voltage contact)
- Relays Electric Current: 2A MAX @30Vdc; 0.4A @ 120Vac
- Relay Activation Time:
  - Relay 1 time delay setting code:\*30
  - Relay 2 setting code: \*31
  - Strike Time: 1~99 seconds
  - Strike mode: Access Timer or Latch
- Memory Volume: 20+1 PIN codes
  - Relay 1 is controlled by 01~20user slots
  - Relay 2 is controlled by \*21 user slots
- Operating Temperature: -20~+70°C
- Ambient Humidity: 5~95% relative humidity non-condensing
- Factory Master Code: 12345
- Invalid PIN Lock-out: The system will shut down for 60 seconds while 30 codes of incorrectly Master Codes enrolled or PIN codes attempted(Non beeper signal of keypad activations).
- EPROM: Non-volatile memory, System will retain all programs and codes after a total loss of power.

### ● Warranty

The product is warranted against defects in material and workmanship while used in normal service for a period of 1 year from the date of sale to the original customer. The GEM policy is one of continual development and improvement; therefore GEM reserves the right to change specifications without notice.

### GIANNI INDUSTRIES, INC.

No.306-1, Hsin Shu Road, Hsin Chuang, Taipei,Taiwan 242  
 TEL: 886-2-2206 9929 FAX: 886-2-2204 6632  
 E-Mail: info@gianni.com.tw  
 Website: gianni.tw



The products are manufactured under an ISO 9001 & QC 080000 Certified Quality Management Program environment back its product quality, performance and commitment to customer satisfaction.